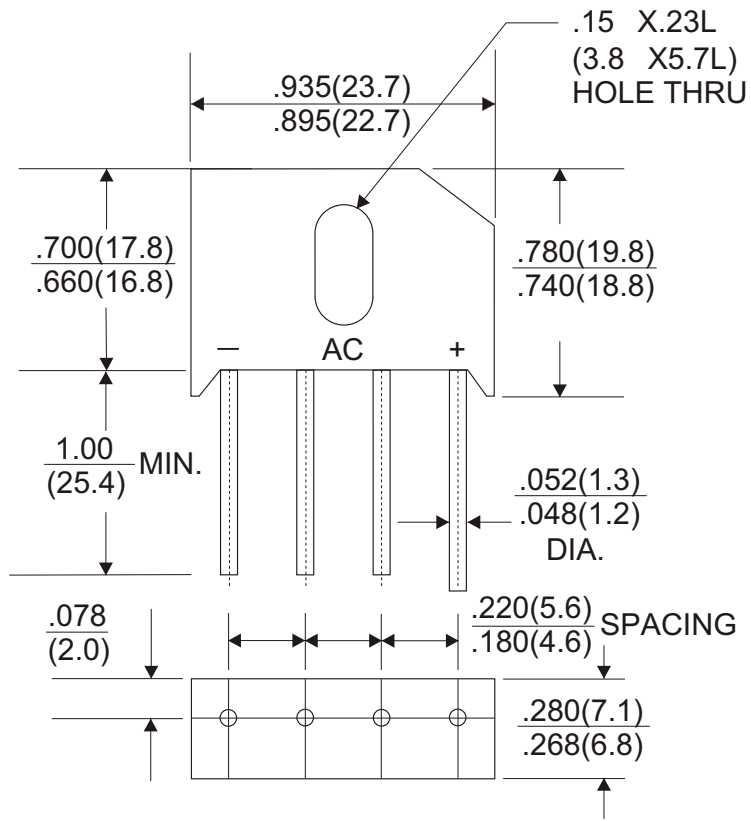


# RS-8



Dimensions in inches and (millimeters)